



843-797-7762

info@newhorizonshutters.com

OPERATING INSTRUCTIONS FOR IMPACT SHUTTERS

Turn holdback to release shutter from house by pressing the bottom of the holdback to release pressure against the shutter. This ensures that you will not scratch your shutter. (See figure 1)

From the inside of the home (if you have double hung windows) pull the shutters into the opening so that they close together at the same time. They may be a little tight so you have to apply more pressure so they spring shut. The reason for the tightness is to insure a proper fit. (See figure 2)

Once the shutters are in the closed position, install storm bar so that shutters become one unit

1. You will need to remove (8) total screws from the pair of shutters. Some of the screws may require a Phillips Head Screwdriver.
2. Next, install the storm bar. (See figure 2)
3. Place the storm bar over the holes where the screws were removed and insert the (4) 1" screws from figure 3 through the holes in the storm bar and tighten.
4. In most applications, each pair of shutters will have (2) storm bars, or (4) for single bi-fold, or (6) for double bi-fold.
5. You may have to move the shutter around a little to ensure proper alignment of the screws.

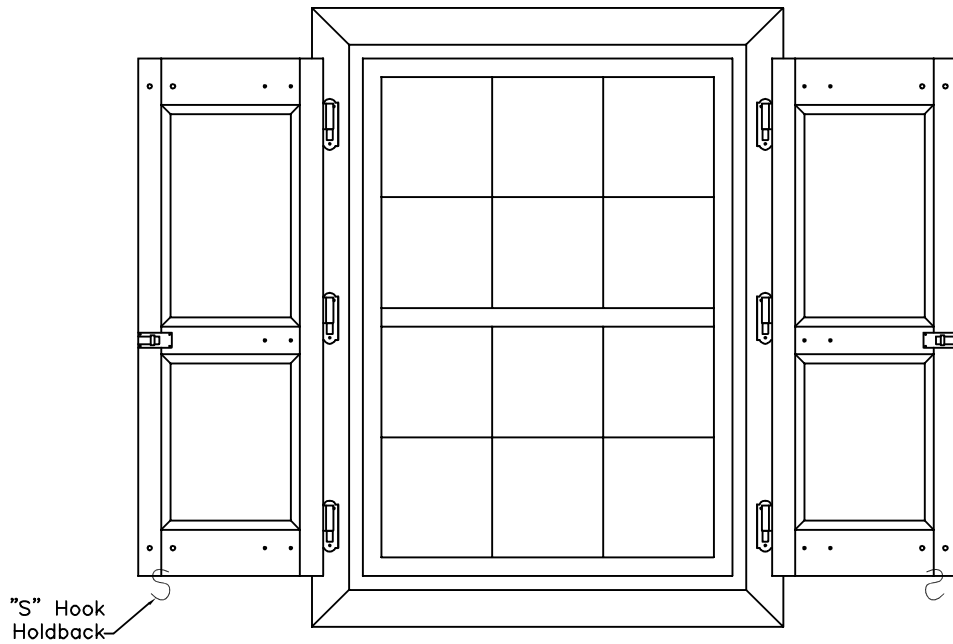


Figure 1
Shutters in Open Position

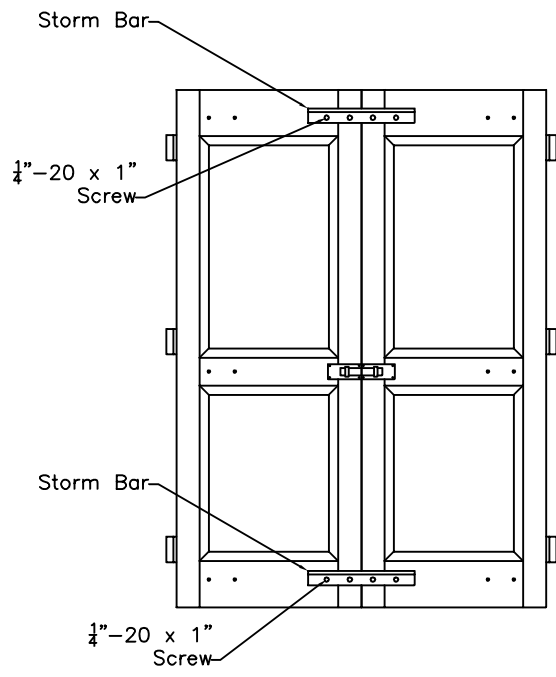


Figure 2
Shutters in Closed Position