

Installation Instructions for Impact Rated Shutters

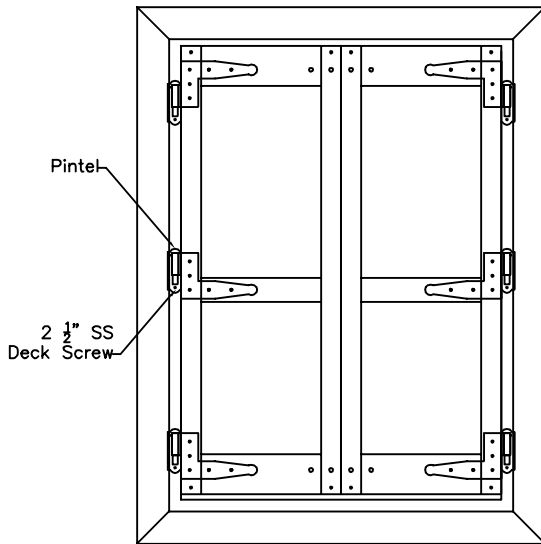


Figure 5

Position the shutters in the opening allowing equal space on either side. Fasten the pintles with the 2 1/2" ss deck screws.

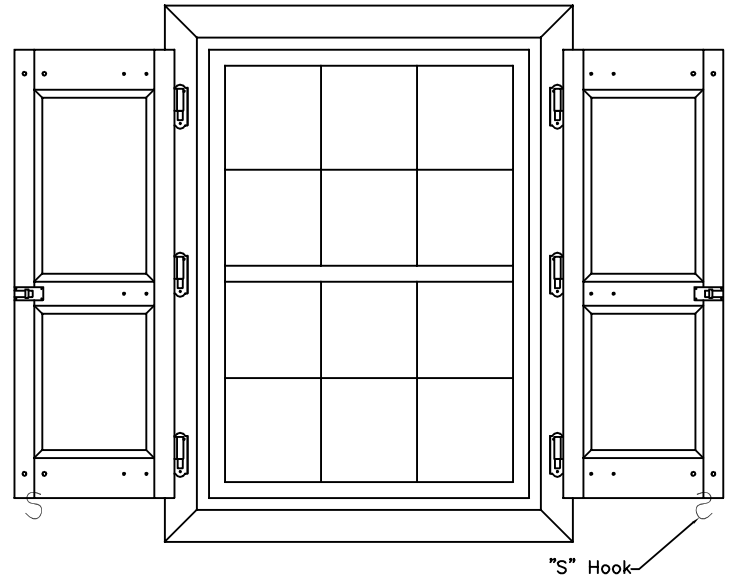


Figure 6

The shutter dog "S" hook should be positioned 1 1/2" for the shutter bottom and 2" from the outside edge.

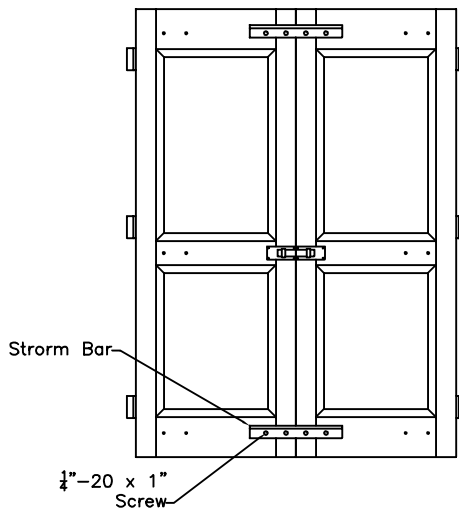


Figure 7

In most applications, each pair of shutters will require (2) storm bars. A single bifold requires (4) and a twin bifold requires (6).

Please see addendum for single and twin bi-fold installations.