

Installation Instructions for Impact Rated Shutters

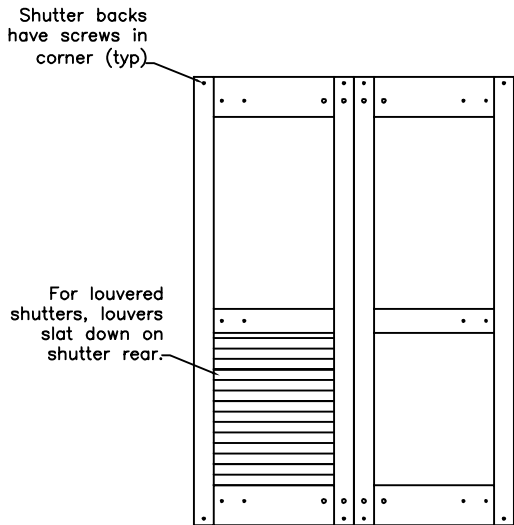


Figure 1

Select a pair of shutters to install and place face down on padded saw horses.

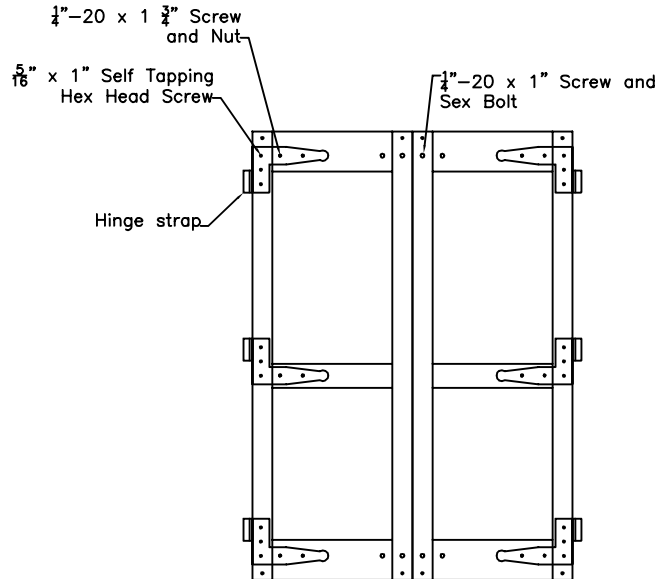


Figure 2

Install hinge straps after determining correct offset. Hinges are to be placed at the top, middle and bottom even with the outside edge. Also, install the sex bolt and screw.

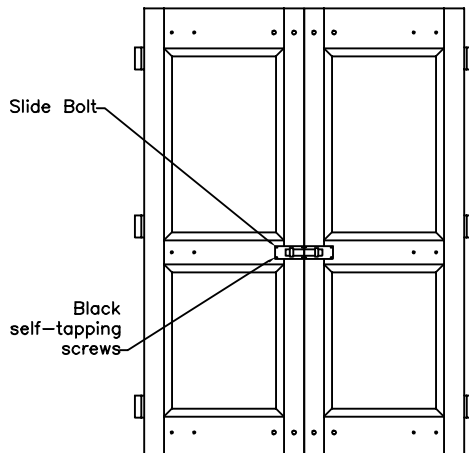


Figure 3

Flip the shutters over and install the slide bolt on the center rail with black self tapping screws.

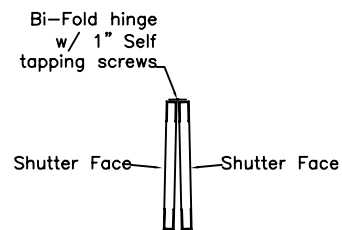


Figure 4

If a shutter set is to be bifoldd (3) bifold hinges are to be install per set (1) at each rail – top, middle and bottom. Stand a shutter pair on the long edge with the face out and screw hinges to the shutter side.