

Installation Instructions for E-Class Shutters

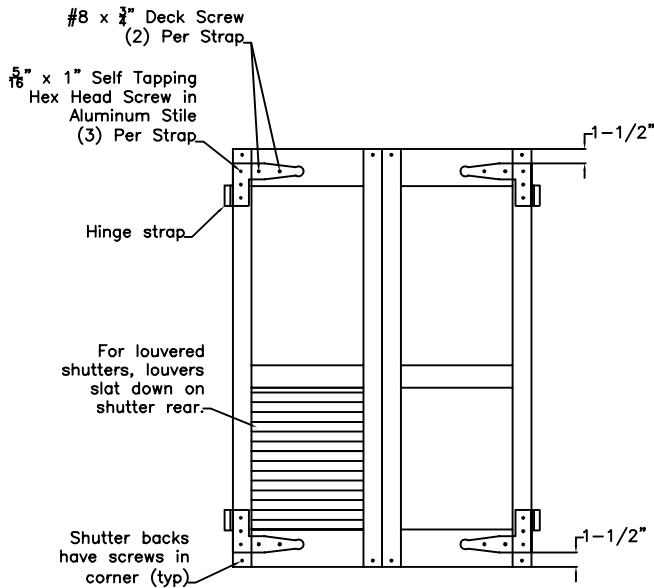


Figure 1

Select a pair of shutters to install and place face down on padded saw horses. Install hinge straps after determining correct offset. Hinges are to be placed $1\frac{1}{2}$ " from the top and bottom even with the outside edge. Caution: If a center strap is used, be sure the screws are placed in the center rail.

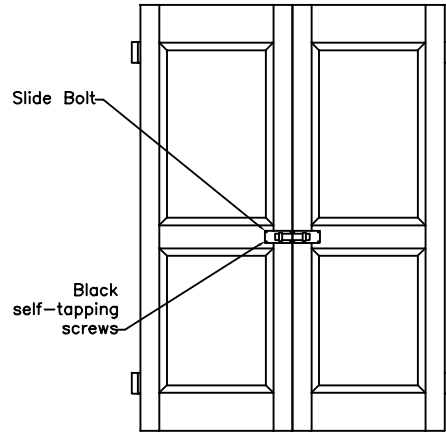


Figure 2

Flip the shutters over and install the slide bolt on the center rail with black self tapping screws.

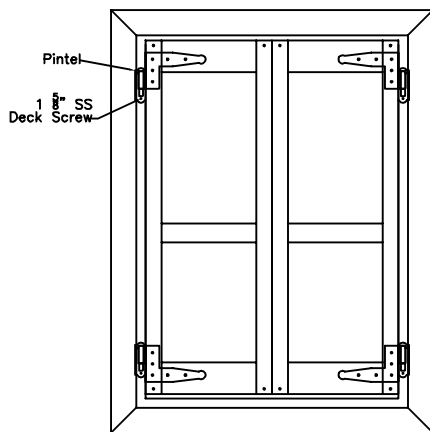


Figure 3

Position the shutters in the opening allowing equal space on either side. Fasten the pintles with the $1\frac{5}{8}$ " ss deck screws.

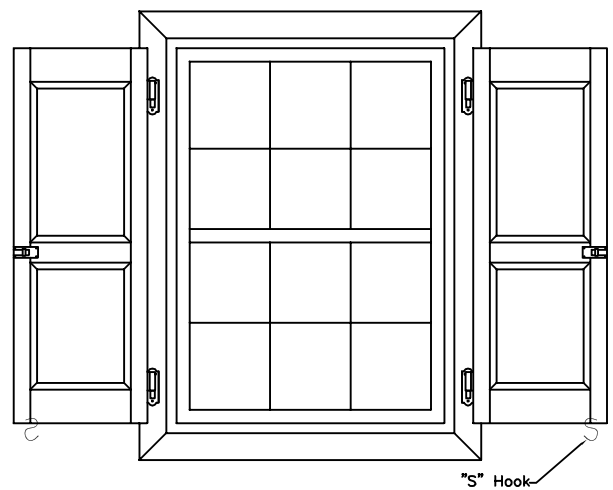


Figure 4

The shutter dog "S" hook should be positioned $1\frac{1}{2}$ " for the shutter bottom and 2" from the outside edge.