

# *Atlantic* Premium Shutters™

## **Measuring, Ordering and Installation Instructions**

### **Measuring**

When measuring a window opening it is ideal to measure the width of the window opening at the top, center and bottom on the window opening. Similarly measure the height of the window left, center and right side. If the shutter is to be functional you need to allow for ¼" clearance around all 4 sides to the smallest window opening size. You must also allow for a ¼" gap between the two shutters at the center of the window.

#### Available Shutter Sizes (in 1/8" increments)

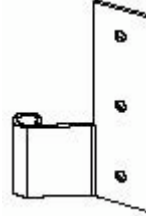
Louvered	H: 13½"-150"	W: 9"-30"
Board and Batten	H: 13½"-120"	W: 9"-30"
Raised Panel	H: 13½"-150"	W: 12"-30"
– <i>Savannah</i>	<i>Maximum height is 96"</i>	
Combination	H: 24"-150"	W: 12"-30"

# Hardware

It is very important that you determine the type of hinge and pintel required to fit your window and wall application.

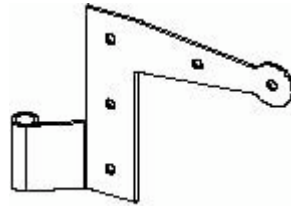
## Flat Hinge Item #

0" Offset	80032000
1 1/2" Offset	80033000
2 1/4" Offset	80034000



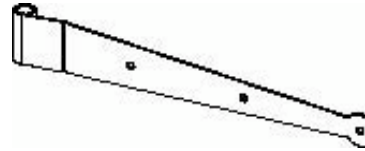
## 6" L-Hinge Item #

1/2" Offset	80012000
1 1/2" Offset	80013000
2 1/4" Offset	80014000



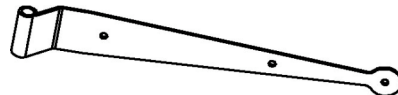
## 10" Strap Hinge Item #

0" Offset	20694000
1/2" Offset	80015000
1 1/2" Offset	80016000
2 1/4" Offset	80017000



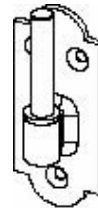
## 12" Strap Hinge Item #

1/2" Offset	20698000
1 1/2" Offset	20699000



## Pintel Item #

1/2" Offset	80018000
1 1/2" Offset	80019000
2 1/4" Offset	80020000

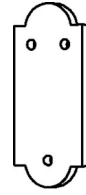


## Pintel Shim Item #

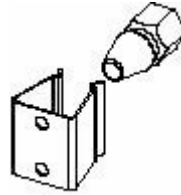
1/4" Thick	80035000
------------	----------

Black Polyamide Plastic  
Includes (2) 1/4" x 3" screws

**4" Lag Pintel**  
**Item #**  
80021000



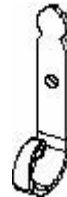
**Acorn Holdback**  
**Item #**  
80023000



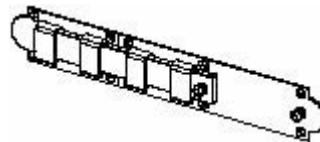
**S Holdback with lag bolt, washer, cotter pin**  
**Item #**  
80022000



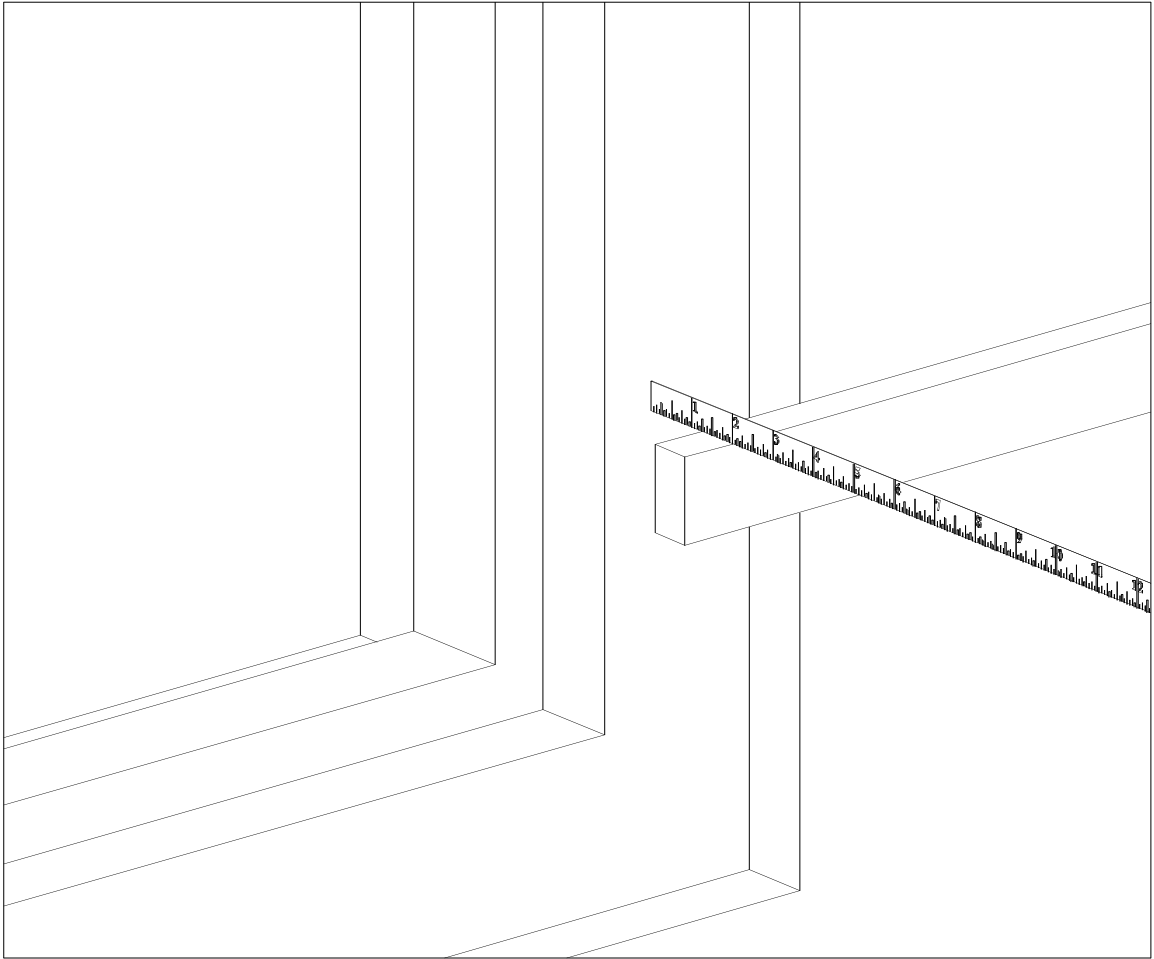
**Rat-tail Holdback**  
**Item #**  
80031000



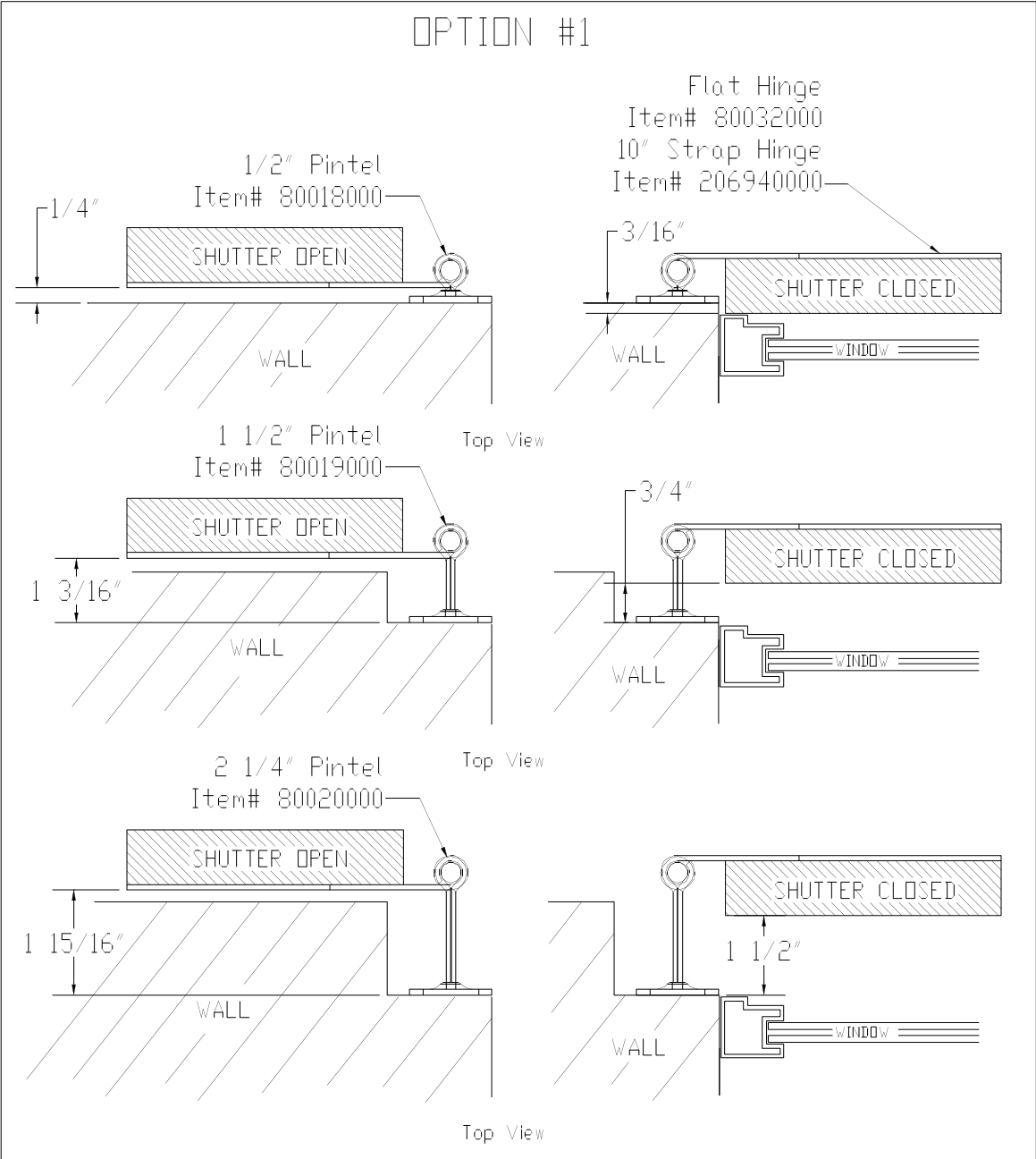
**12" Shutter Slide Bolt**  
**Item #**  
80024000



First step is to determine the position of the Pintel on the Window casement. Measure the depth of the surface that the Pintel will be mounted on and the adjacent wall surface. This will determine the Pintel height and Hinge combination that best fits the application.

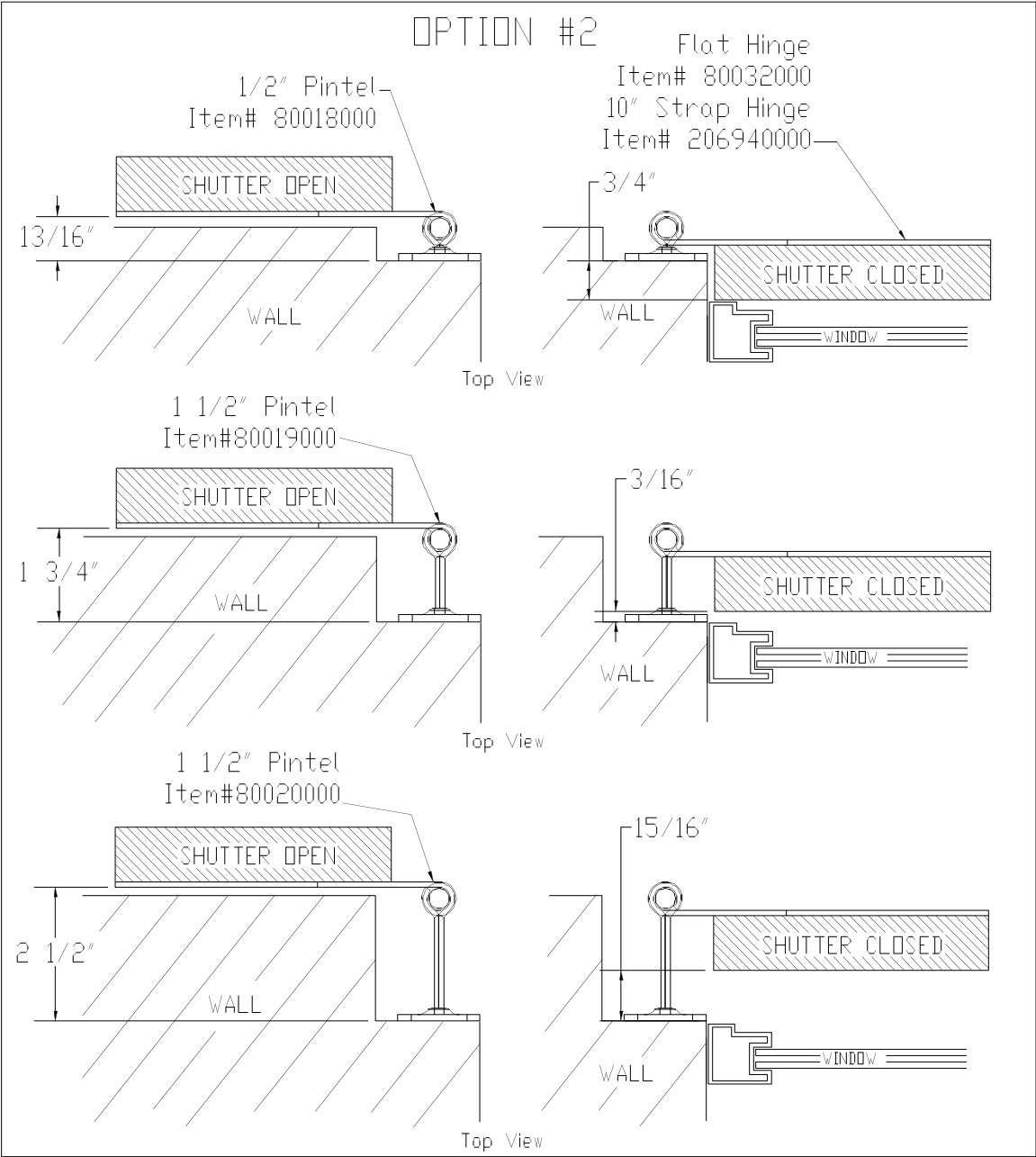


# Pintel and Strap Hinge Combination



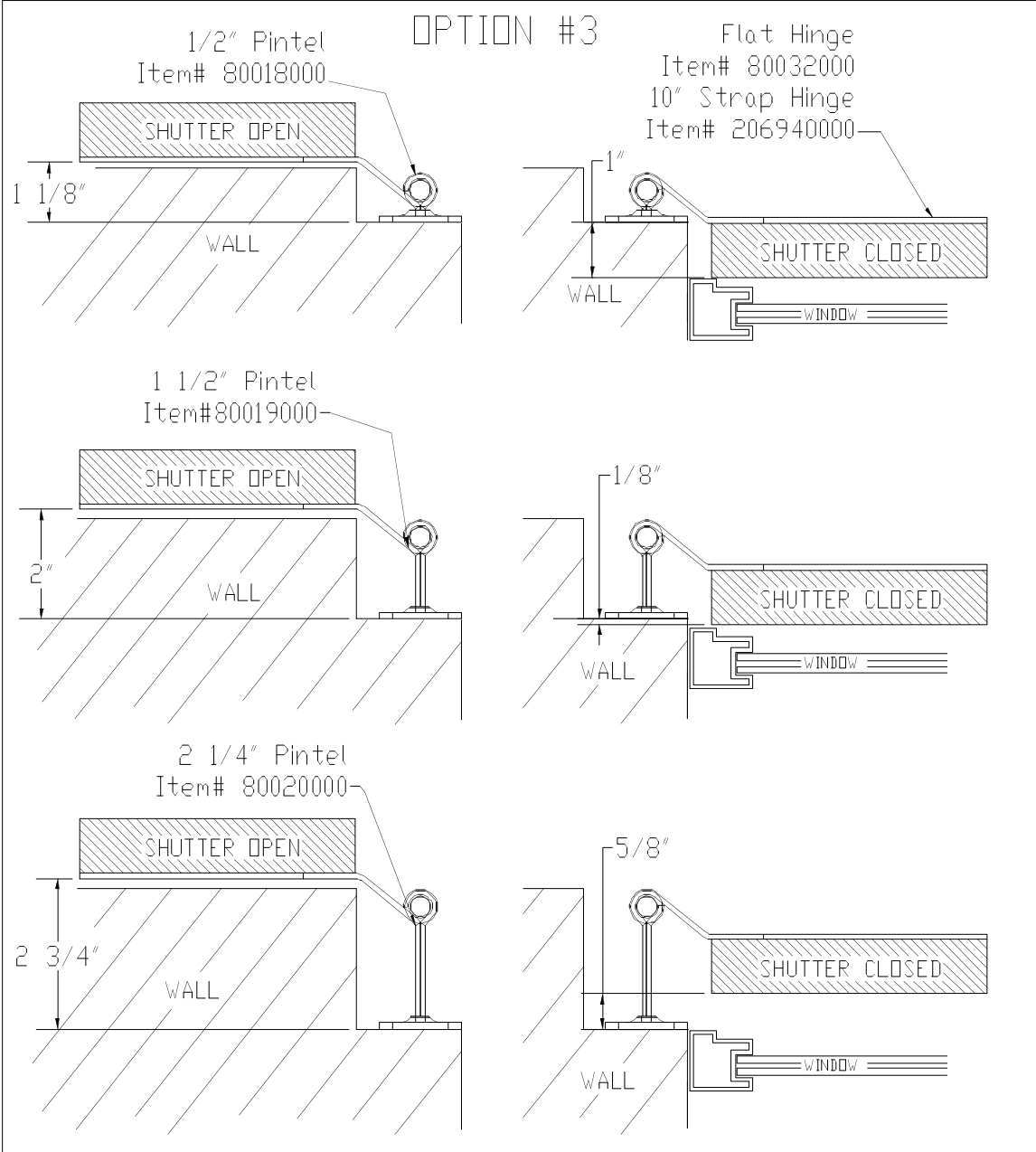
The ideal setup is to have the Shutter flush with the casement when the Shutter is in the closed position. The Pintel Shims can be added to make small adjustments of 1/4", 1/2" and 3/4".

# Pintel and Strap Hinge Combination



The ideal setup is to have the Shutter flush with the casement when the Shutter is in the closed position. The Pintel Shims can be added to make small adjustments of 1/4", 1/2" and 3/4".

# Pintel and Strap Hinge Combination

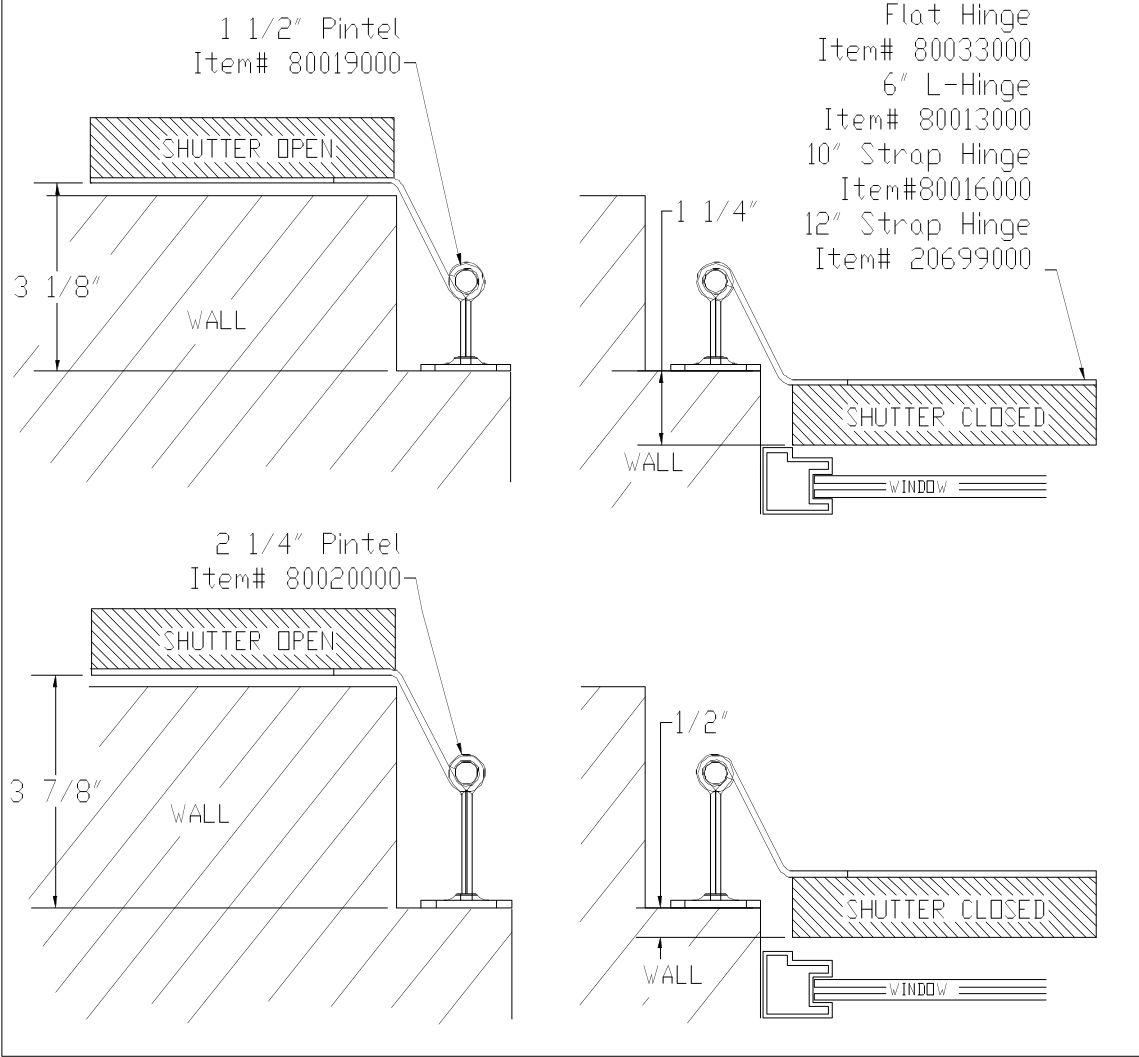


The ideal setup is to have the Shutter flush with the casement when the Shutter is in the closed position. The Pintel Shims can be added to make small adjustments of 1/4", 1/2" and 3/4".

# Pintel and Strap Hinge Combination

## OPTION #4

1/2" Pintel is not compatible with these hinges



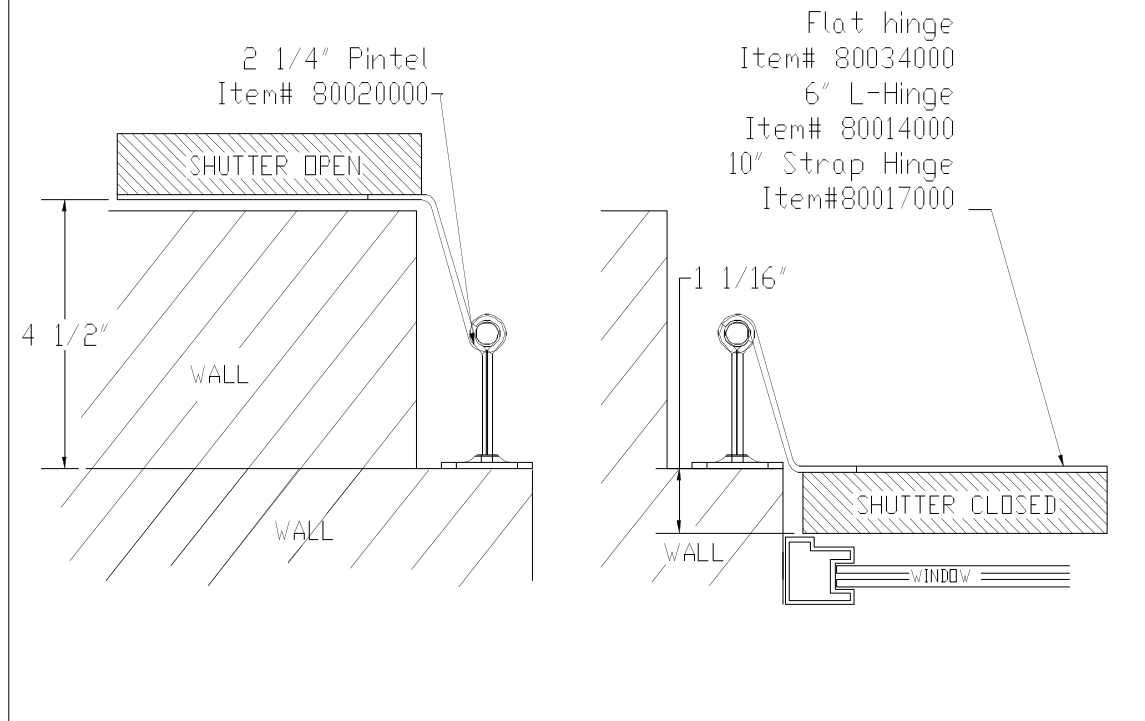
The ideal setup is to have the Shutter flush with the casement when the Shutter is in the closed position. The Pintel Shims can be added to make small adjustments of 1/4", 1/2" and 3/4".



## Pintel and Hinge Combination

### OPTION #5

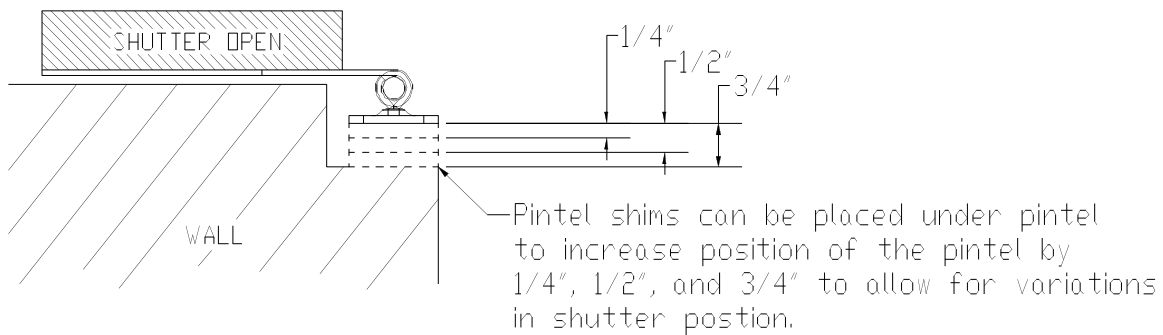
1/2" Pintel and 1 1/2" Pintel is not compatible with these hinges



The ideal setup is to have the Shutter flush with the casement when the Shutter is in the closed position. The Pintel Shims can be added to make small adjustments of 1/4", 1/2" and 3/4".

## Pintel Shim

Pintel Shim  
Item# 80035000



All hardware is made from Stainless Steel and is Powder coated Black finish.

## Shipment

When you receive your order, please inspect the cartons for visual damage. Next remove the shutters from the packages and inspect for any concealed damage. Count the number of shutters and hardware received as compared to the packing slip. If you are missing any items or there is any damage please contact Atlantic Shutter at 877-437-0608 before proceeding. **All freight damage claims must be reported within 12 days of receipt for credit.**

## Finish

Atlantic Shutters are either primed or finished with a two-part urethane finish.

## Warranty

15 year warranty for workmanship and factory applied finish. You must use Atlantic Hardware or an equivalent. View full warranty on [www.atlanticpremiumshutters.com](http://www.atlanticpremiumshutters.com).

## Operable Installation Instructions

Hold the shutters in place in the window opening.

Using shims center the shutter in the opening to create a  $\frac{1}{4}$ " gap around all 4 sides of the shutter, and  $\frac{3}{8}$ " gap between the center of the 2 shutters.

Identify the location of the Hinges and Pintels

We recommend that the following number of Hinges be used for different height shutters

**Height from 12" to 48", 2 Hinges per shutter**

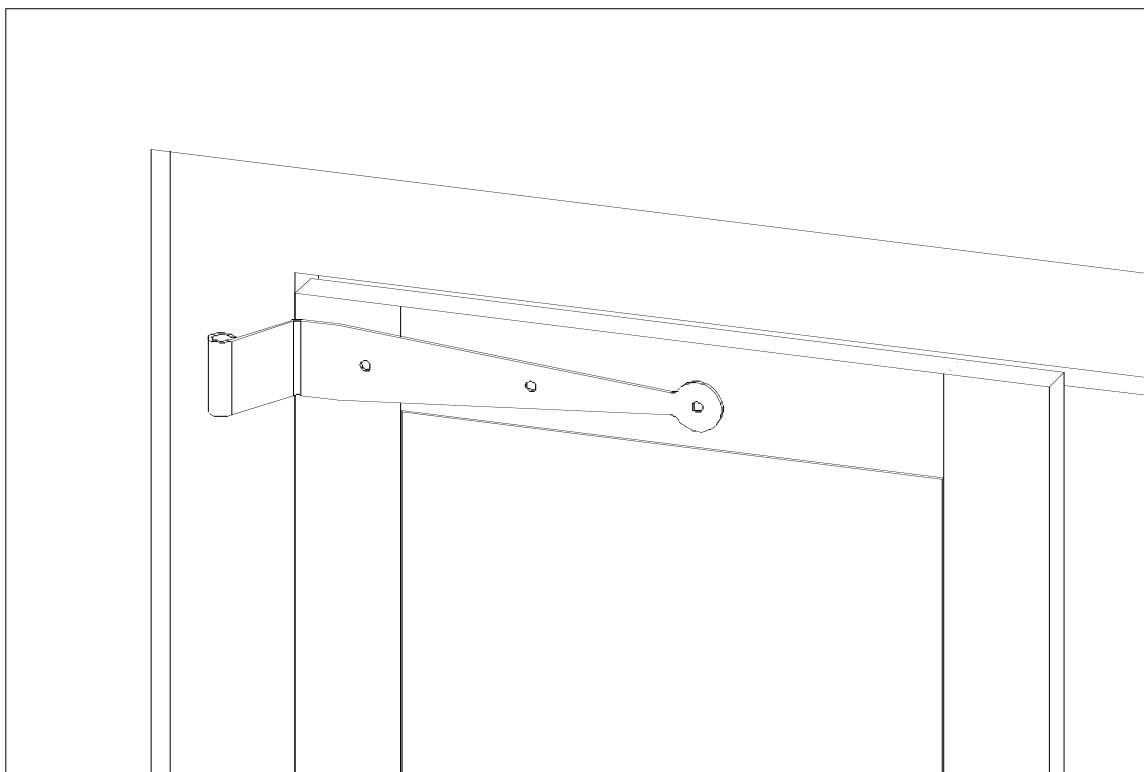
**Heights from 49" to 96", 3 Hinges per shutter**

**Height from 97" to 144", 4 Hinges per shutter**

**Over 144", 5 Hinges per shutter**

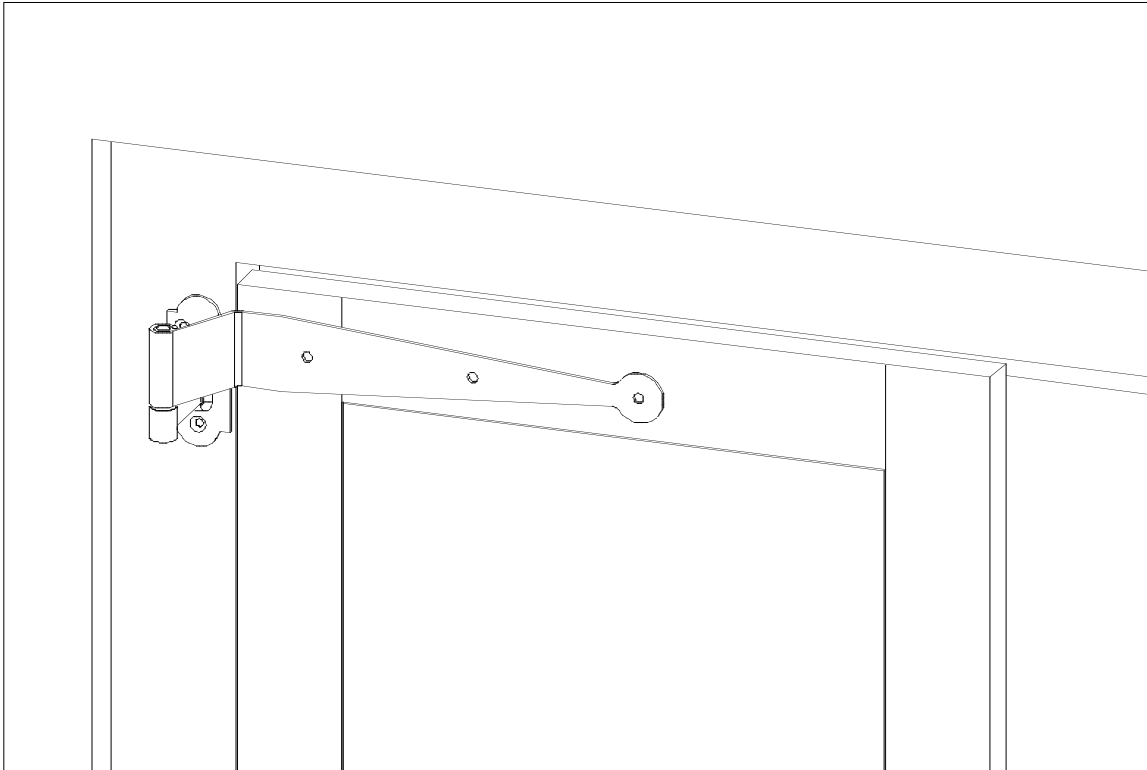
Identify the locations of the Pintel on the wall and mount each pointing in the upward position, except for the two bottom Pintel. These will be mounted after the strap Hinges are assembled to the Shutter and after the shutter has been hung on the top Pintel for final assembly.

After the shutter is hung reverse the 2 bottom Pintel pointing downward. This will prevent the shutter from being blown off.



Note: Fixed mounted shutter require the use of polycarbonate brackets. Face mounting shutter voids manufacturers warranty.

With the Shutters setting in the window opening, attach the Strap Hinge to each Pintel and rotate the Hinge to lay flush with the face of the shutter.  
Mark the location of the screw holes.



Remove the shutter from the window opening.  
Drill 1/8" diameter pilot holes through the face of the stiles. Be careful not to drill through the opposite side of the stile.  
Mount the Hinges with the screws provided with the Hardware.

Slide Bolt are normally mounted on the center rail of the outside of the shutter in the open position. They function best when located in the center of the shutter  
Lay the shutter on a set of horses side by side. Align the pair in the closed position.  
Align the large body of the Slide Bolt to the inside edge of the shutter and mark the hole locations.

Drill 1/8" diameter pilot holes through the face of the stiles. Be careful not to drill through the opposite side of the stile.

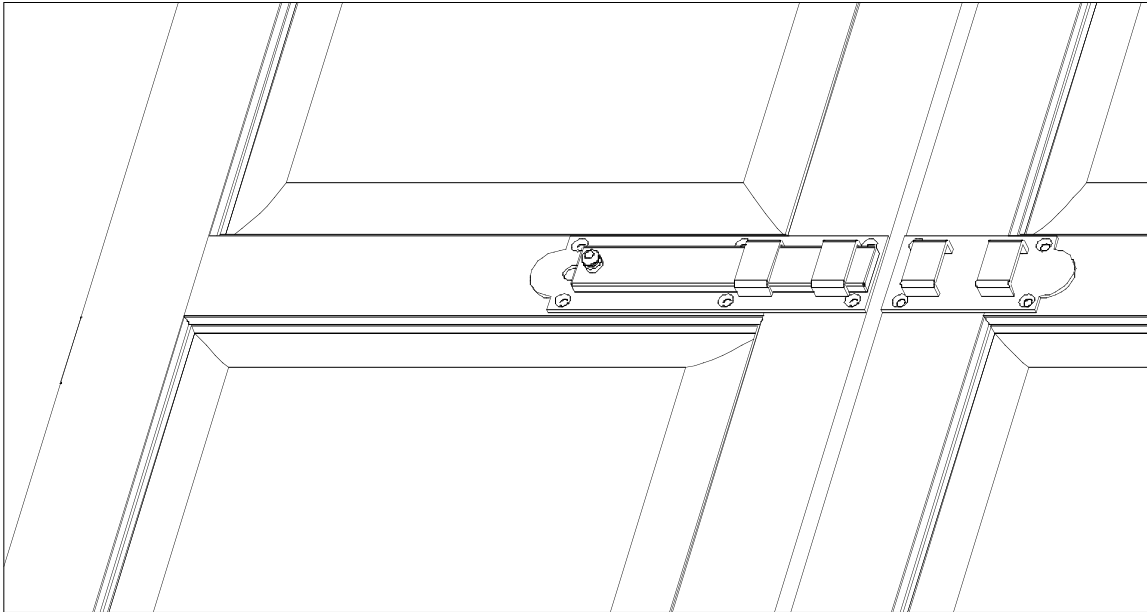
Screw the large body of the Slide Bolt to the shutter.

Align the Latch portion of the Slide Bolt with the edge of the opposite shutter and mark the hole locations.

Drill 1/8" diameter pilot holes through the face of the stiles. Be careful not to drill through the opposite side of the stile.

Screw the Latch portion to the shutter.

NOTE: The Slide Bolt is use as a decorative assent and is not designed as a storm bar holding device.

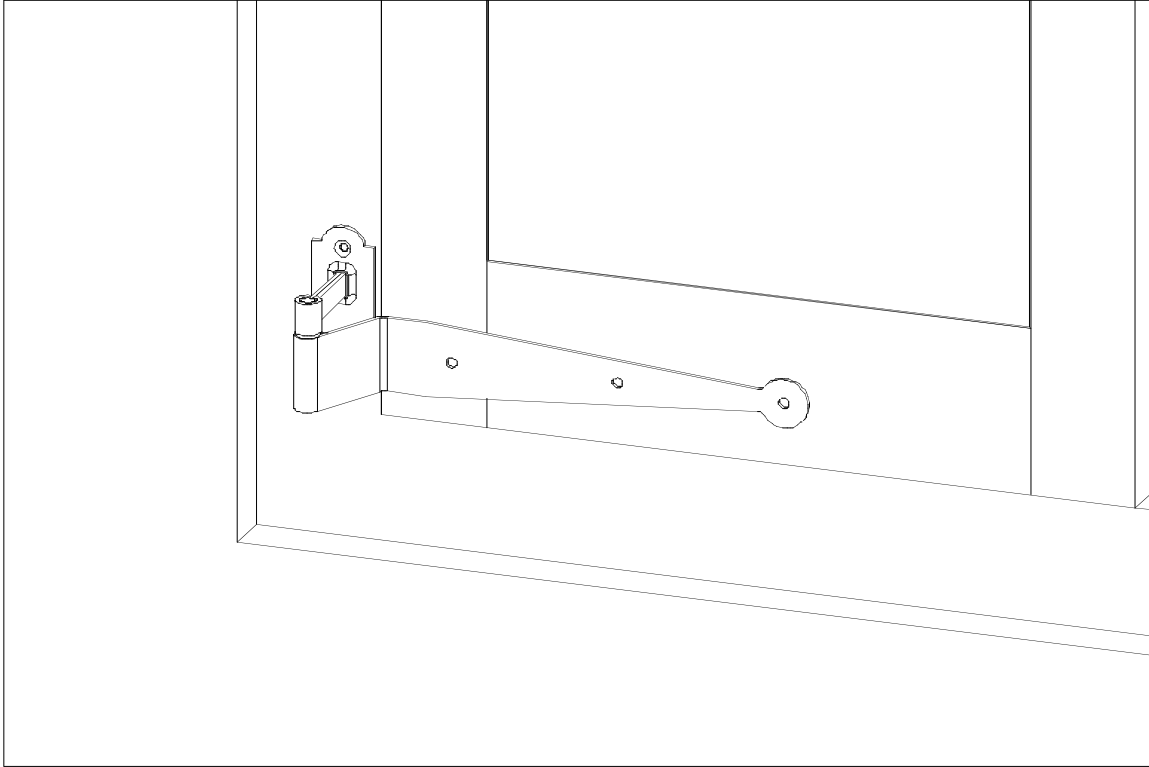


Hang the shutters on the Pintel, check for uniform gap clearance and make sure the shutters are plum.

Locate the position of the bottom Pintel on the wall, place the Hinge on the pintel and pivot flush to the shutter and mark the hole locations.

Remove the shutter and assemble the bottom hinge to the shutter.

Again hang the shutter in place and attach the bottom Pintel (In reverse pointing down).

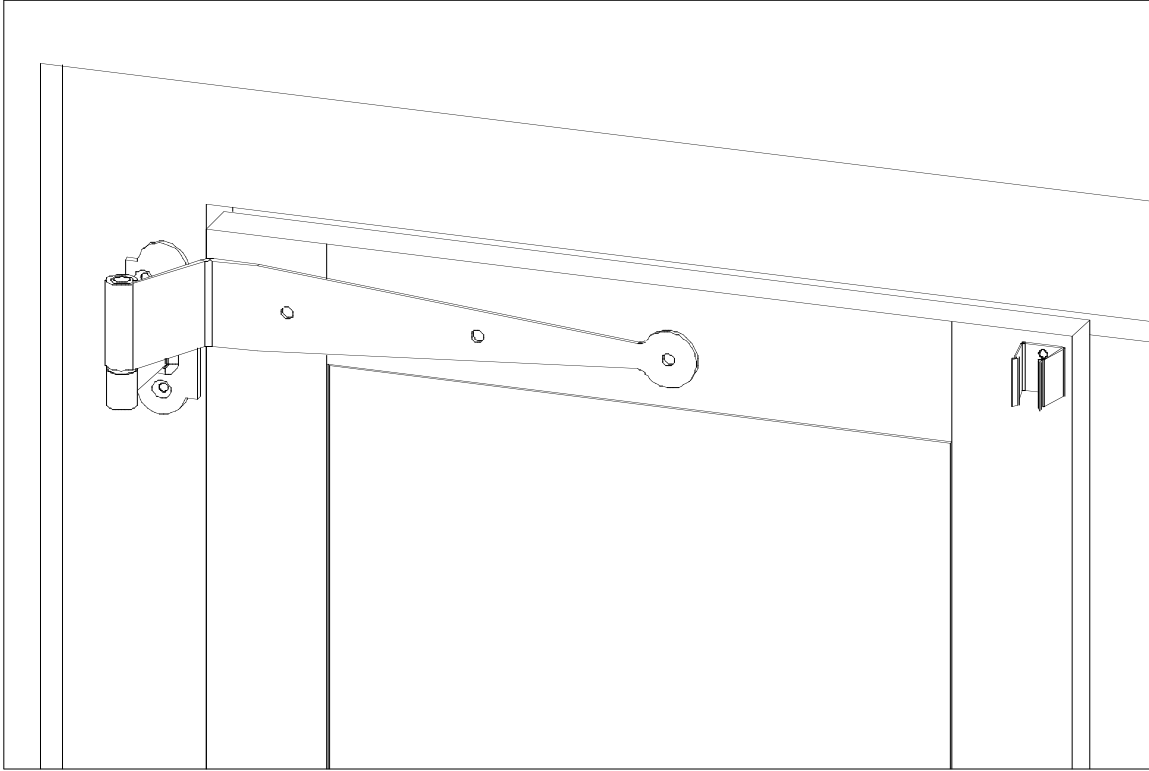


With the shutters in the closed position, locate the Acorn Hold Back Clip 1" down from the upper corner and 11/16" from the edge of the stile. Mark the hole location and Drill 1/8" diameter pilot holes through the face of the stiles. Be careful not to drill through the opposite side of the stile. Screw the Hold Back Clip in position.

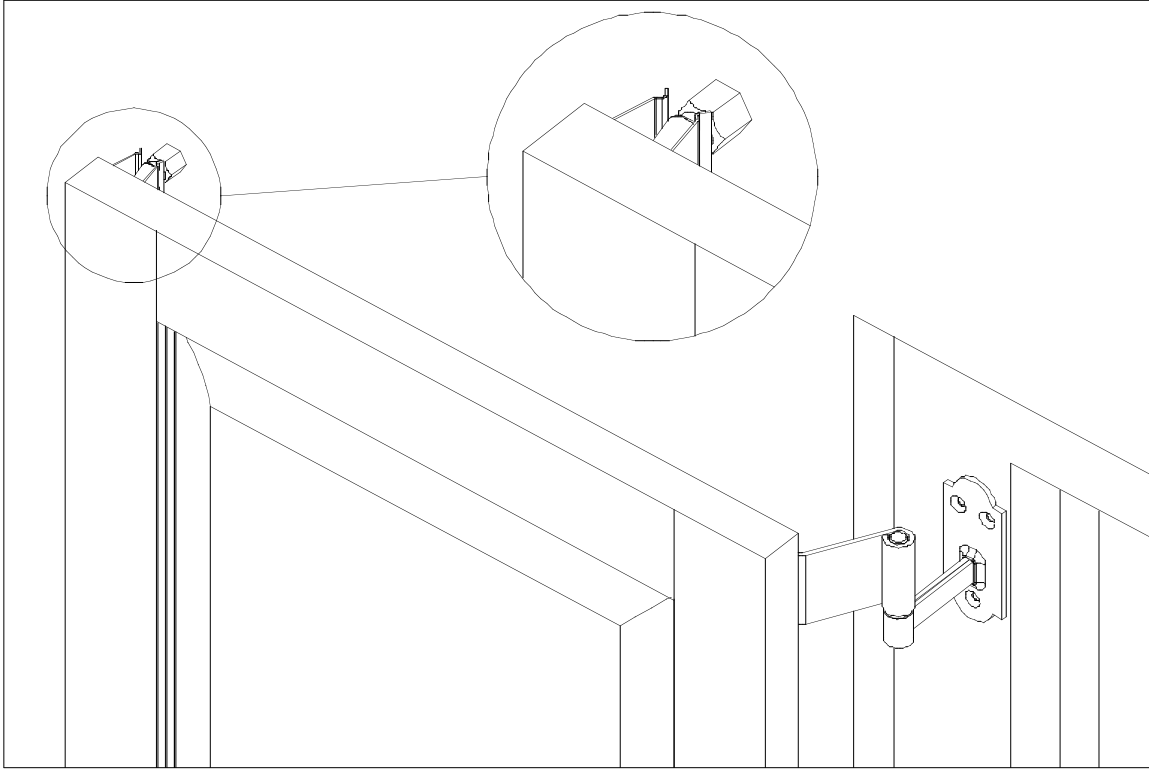
It is recommended that you use 2 Acorn per shutter.

Shutters larger than 55" in height require 2 sets of Acorns per shutter.

Repeat the above step on the bottom corner of the shutter.



Swing the shutter open and mark the location for the Acorn Clip on the wall. If mounting in a wood surface drill a 1/4" pilot hole and mount the Acorn Clip. If mounting in a masonry surface use the appropriate anchor.



After the Acorn clips are attached to the wall and the shutter is locked in the open position you can install the S Holdback or the Rat-tail Holdback.

To install the S Holdback or a Rat-tail Holdback, measure 1 ½” down from the bottom edge, and 1 ¾” in from the outside edge of the shutter. If mounting in a wood surface drill a 1/4” pilot hole. If mounting in a masonry surface use the appropriate anchor. Screw the S Holdback or Rat-tail Holdback in place.

The S Holdback and Rat-tail is recommended as a decorative use as opposed to a functional one.



